



Stage box show<sup>®</sup>  
路路娛樂有限公司



Stage box show<sup>®</sup>  
路路娛樂有限公司

1  
2  
3  
4  
5

**SB-MR**

StageBox Modular Rental Series

**SB-CI**

StageBox Commercial Indoor Series

**SB-CO**

StageBox Commercial Outdoor Series

**SB-CT**

StageBox Commercial Transparent Series

**SB-CF**

StageBox Commercial Floor Series

MADE IN MACAU-CHINA



# StageBox Modular Rentals Series

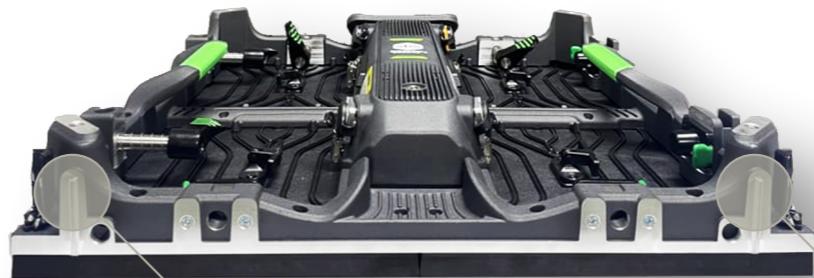
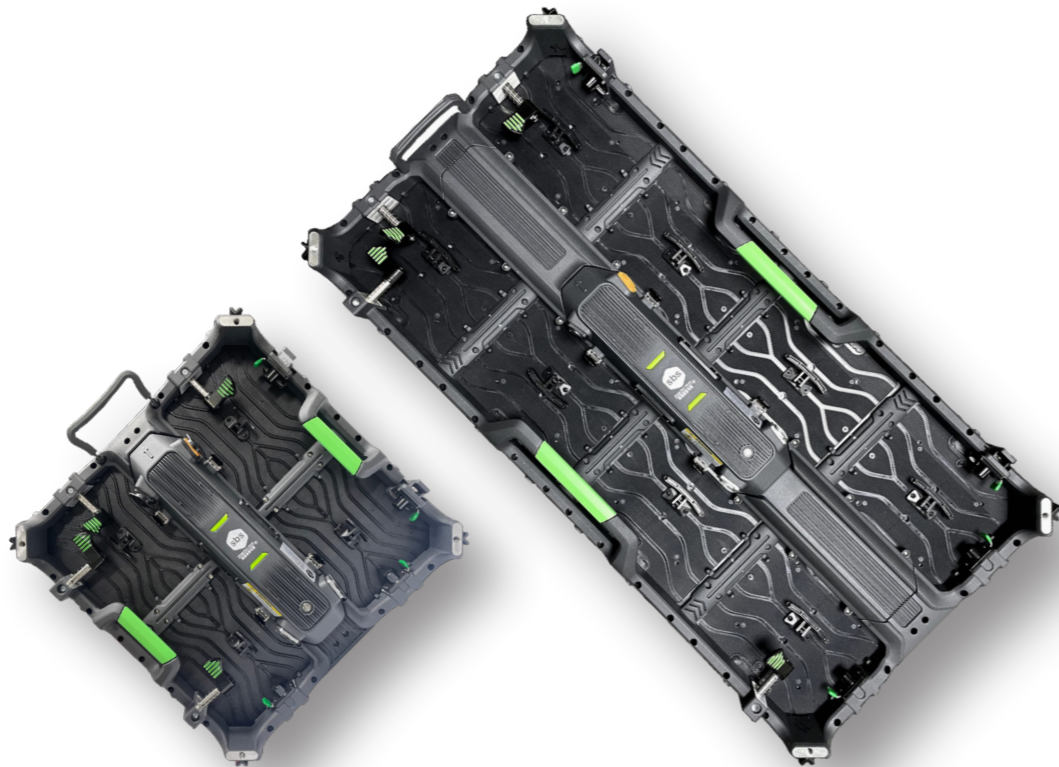
SB-MR Series is a high performance rental panel for indoor and outdoor applications.



# SB MR Series

SB-MR Series is a light, slim and has many creative and user-friendly designs to achieve more convenient and faster installation including fast locks and carry handles.

The screen has a high protection level with front and back service options for quick and easy maintenance.



### Bottom Protection

The bottom protection helps lower accidental damage on LEDs when the panels are placed on the ground.

### Modular PDU

Modular control box design with board to board connectors, fast interchangeable PDU.





### Corner Protection

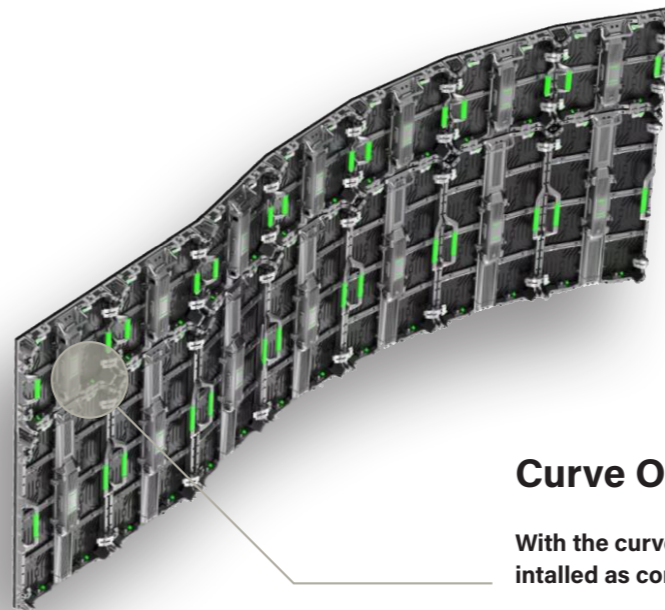
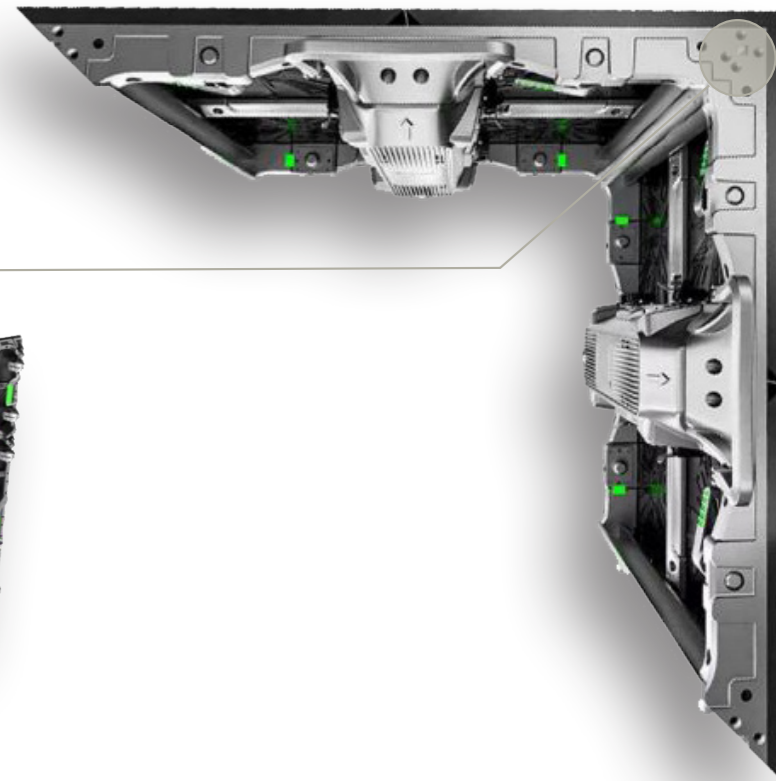
The corner protection cover helps lower accidental damages on LEDs.

### Radiator Fin

The radiator fin design on the back cover of the control box ensures a better heat dissipation.

### Right Corner available

Right corner cabinet makes it more flexible when setting up the LED.



### Curve Options Available

With the curve lock, panels can be intalled as convex or concave shape.

## Easy Locking

Tiles with fast locks for fast and easy assembly to neighbouring panels.

## Indication Light

Dual color indication light tells real-time working status of your LED wall.



## High Contrast Ratio

Special shelter design ensures a higher contrast Ratio over conventional screens.

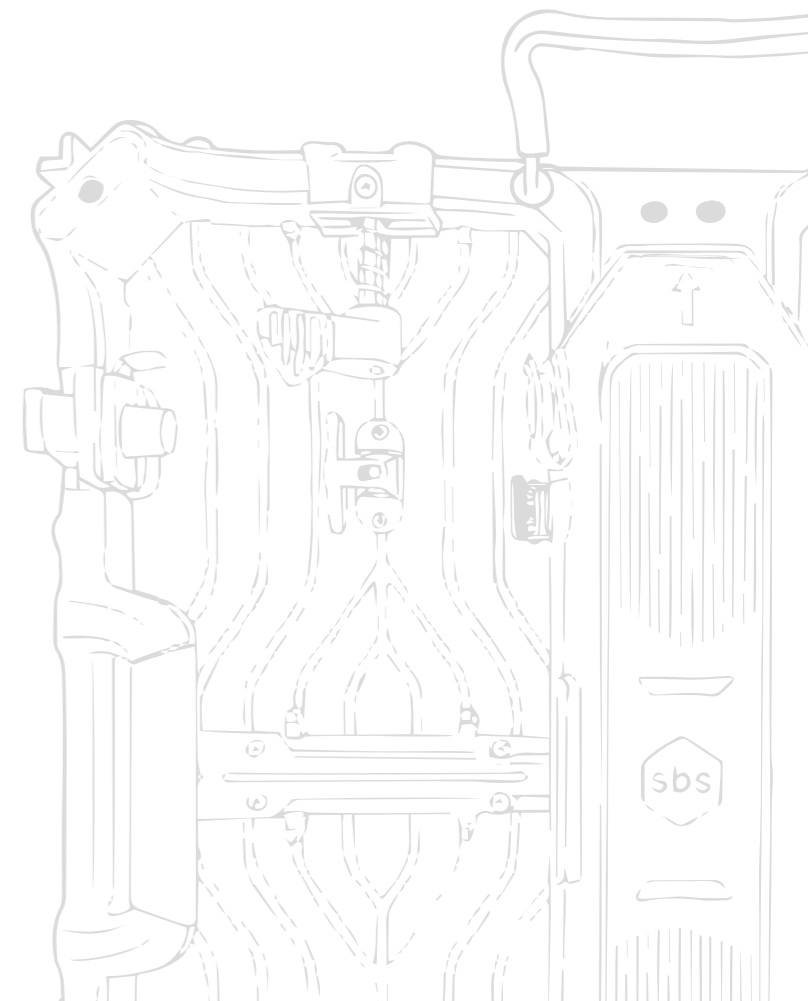
## High Precision CNC

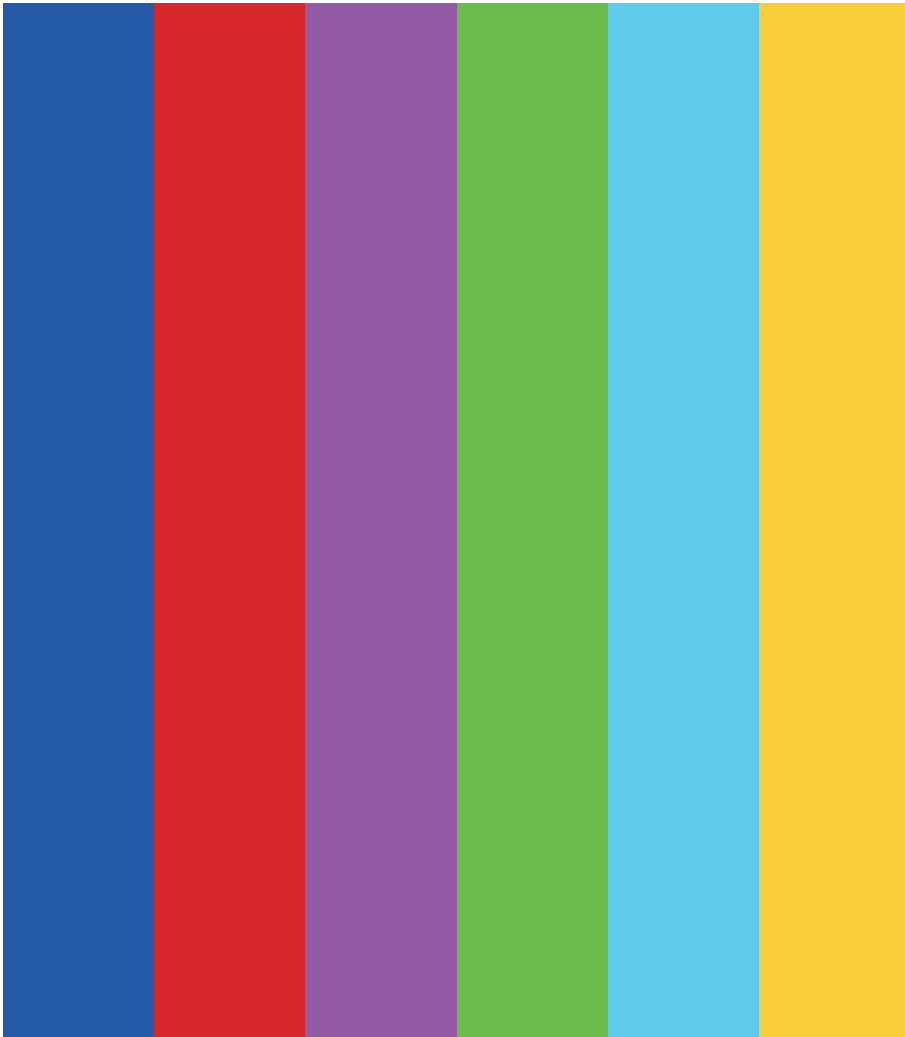
Thanks to the high precision CNC technology, the SR panels are with perfect alignment. You will easily get a smooth surface LED wall.



# Technical Parameters

Model	RI2.6	SRI3.9	RO3.9	SRO4.8
SMD	SMD1515	SMD2020	SMD1921	SMD1921
Pixel Pitch	2.6mm	3.91mm	3.91mm	4.8mm
Module size	250 x 250mm	250 x 250mm	250 x 250mm	250x 250mm
Pixel Density	147,456pixels/m <sup>2</sup>	65,536pixels/m <sup>2</sup>	65,536pixels/m <sup>2</sup>	43,264pixels/m <sup>2</sup>
Cabinet size	500 x 500mm		500 x 500mm / 500 x 1000mm	
Cabinet weight	32Kg/sqm	32Kg/sqm	32Kg/sqm	32Kg/sqm
Refresh rate	3840Hz	3840Hz	3840Hz	3840Hz
Scan mede	245	165	85	85
Brightness	900nits	1000nits	4500nits	4500nits
Viewing angle	160/160	160/160	160/160	160/160
Max. power	640W/m <sup>2</sup>	600W/m <sup>2</sup>	640W/m <sup>2</sup>	640W/m <sup>2</sup>
Avg. power	300w/m <sup>2</sup>	270w/m <sup>2</sup>	300w/m <sup>2</sup>	300w/m <sup>2</sup>
Protection rate	IP31	IP31	IP65	IP65
Service type	Front/Rear	Front/Rear	Front/Rear	Front/Rear





**Stage Box Show** is a **Macau** business company created in 2018. We are specialized in installations and maintenance of LED walls. **Stage Box Show** is also a LED certified repair center.

From our inception, we have been working with valuable clients from **Macau**, earning their trust and working on large scale projects.

This trust gave us the confidence to create our own brand, **StageBox LED Series**, made in **Macau-China**. By working together with well known factories in China we developed one of the best products that is in the market right now.

Our products have the **Macau-made warranty**, where the after sales service, maintenance and repair will be assured by our local certified technicians.

Contact us at [sbs@stageboxshow.com](mailto:sbs@stageboxshow.com) if you want more information regarding our products.

Thank you and we hope to hear from you soon

[www.stageboxshow.com](http://www.stageboxshow.com)